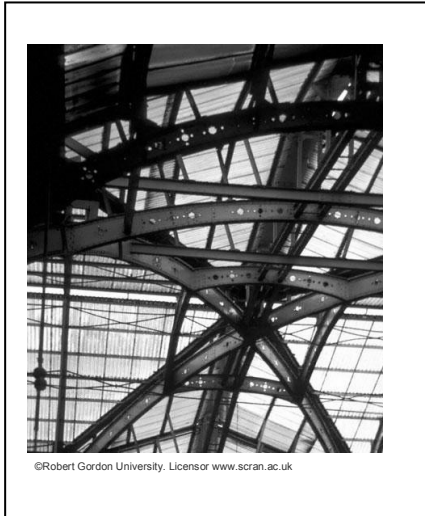
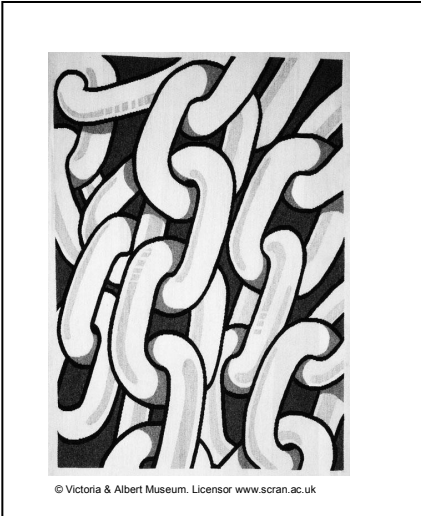
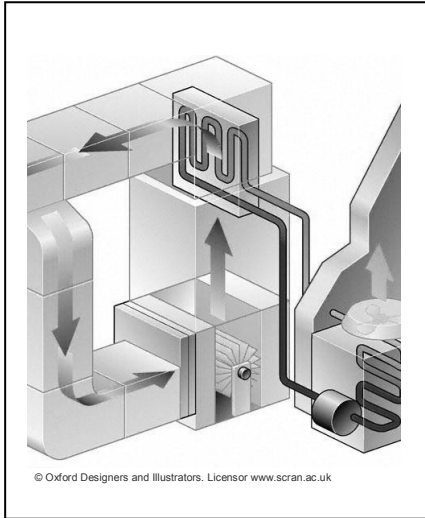




# Learning Resources Technologies 2009/2010



## Engineering and Electronics





## Online and on the shelves...

Welcome to all our Engineering and Electronics students!

We hope you enjoy your time at the College and look forward to seeing you in our Learning Centres. We have resources to make your studying easier and quicker, using the most up to date and reliable materials available. If you need any help in locating items, simply ask us and we will be delighted to assist you.

### Our website

<http://library.west-cheshire.ac.uk/engineering/default.htm>

The screenshot shows the library website for Engineering. At the top, it says "Libraries and Learning Centres and Learning Centres and Learning Centres". Below this, there is a navigation menu on the left with links like "Home & Subject List", "Library Services", "Library Catalogue", "User Guides", "Library Leaflets", "Opening Hours", "Electronic Resources", "Web Links", "Connecting from Home", "Enter", "Frequently Asked Questions", and "Contact Us". Below the menu is a laurel wreath logo with the text "INVESTORS IN PEOPLE".

The main content area is titled "Engineering" and includes a welcome message: "Welcome to the library resources page. Here you will find direct links to the library catalogue, web directories and special subject that West Cheshire College has purchased for your benefit." Below this are several resource links:

- HERIT4GE**: [Library Catalogue](#) - a direct link to check which resources are available from our Learning Centres.
- west cheshire college**: [Check out the links recommended for your course by West Cheshire College](#)
- intute**: [Intute: Engineering](#) - provides free access to high quality resources on the Internet. Each resource has been evaluated... by subject specialists.
- intute**: [Intute: Statistics and Probability](#) - provides free access to high quality resources on the Internet. Each resource has been evaluated... by subject specialists.
- virtual training suite**: [Internet for Engineering](#) - Use this free, interactive tutorial to improve your Internet research skills
- Summit Skills Careers Map**: [Summit Skills Careers Map](#) - Track your way through the wide range of exciting and challenging career opportunities in the building services engineering sector with the SummitSkills careers map.

On the right side, there is a photo of a student reading a book. Below it are links for [Check out the link recommended for by West Cheshire](#), [Technologies sub](#), [Journals - full text graphics](#), [Advanced Materials](#), [Processes](#), and [Power Engineering](#).

At the bottom of the screenshot, it says: "The following services are only available to the students and staff of West Cheshire College. If"

Use this website to search thousands of full text magazines, newspaper articles and many reference works.

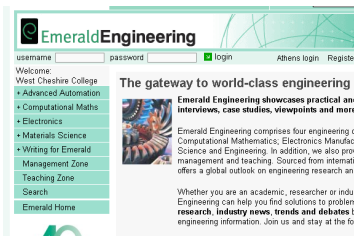
Our electronic newspapers and journals are only available to the students and staff of West Cheshire College. You will be able to access these from home using your network username and password.





## Our resources for you...

We have a wide range of resources for you to use — books, DVDs, videos, journals and newspapers. Online resources, (such as EmeraldEngineering, *right*) are available 24/7 as electronic resources.



**Fronter**, our VLE, has interactive learning modules on subjects ranging from Basic Electricity to Robotics and Automation.

**Online journals** include:

Advanced Materials and Processes

Power Engineering

**Journals** available in the Learning Centres include:

Health and Safety at Work

Electrical & Mechanical Contractor

Everyday Practical Electronics

Elektor Electronics

We keep back copies in stock if you wish to borrow them. If you cannot find what you are looking for, please ask us or use the library catalogue, available at:

<http://heritage.west-cheshire.ac.uk>

Autocad, Electronics Workbench and Microsoft Visio software is available in the Learning Centre



Where to find the books you need...

**Subject** **Class No**

**Electrical and Electronic Engineering**

Circuits and wiring	621.3192
Control engineering	629.8
Robotics	629.892

**Mechanical Engineering**

Autocad	620.004
Applied mechanics	620.1
Hydraulic engineering	627
Manufacturing technology	670.42
Quality control	658.562



**Advanced Electrical Installation Work** and **Introduction to Electrical Installation Work** are two of the e-book titles in Mylibrary.



**Capenhurst Learning Centre**

01244 670451

**Chester Campus Learning Centre**

01244 670579\574

**Ellesmere Port Learning Centre**

01244 670348